

# Avonic CM-MIC100

## USB 2.0 Video Conferencing Table Speakerphone



## User Manual

Version 2.0

Update notes:

Join Avonic



[linkedin.com/company/avonic](https://www.linkedin.com/company/avonic)



[twitter.com/avonic](https://twitter.com/avonic)



[facebook.com/avonic](https://facebook.com/avonic)

# Contents

<b>Introduction .....</b>	<b>3</b>
Congratulations.....	3
Safety Notes .....	3
Compliance Statements and Certifications .....	3
<b>Package contents and Accessories.....</b>	<b>4</b>
<b>Product Overview .....</b>	<b>4</b>
Features.....	4
Product Description .....	5
<b>Installation .....</b>	<b>6</b>
Connection Diagram .....	6
<b>Operation Instructions .....</b>	<b>6</b>
Menu .....	6
<b>Maintenance .....</b>	<b>7</b>
<b>Troubleshooting.....</b>	<b>7</b>
<b>Contact.....</b>	<b>7</b>
<b>Appendix.....</b>	<b>8</b>
Technical Data .....	8

# Introduction

## Congratulations

Thank you for purchasing the Avonic CM-MIC100 USB 2.0 Video Conferencing Table Speakerphone. Before beginning to operate this device, please read the manual in order to make sure the best performance is obtained. Save this manual for future reference.

## Safety Notes

- Installation and servicing should only be done by Qualified Service Personnel and conform to all local codes.
- This unit is designed for indoor use only and it must not be installed where exposed to water or other liquids and moisture.
- Before powering on the device, check the input power voltage carefully.
- Avoid shock and vibration when transporting and installing the device.
- Use wall mount brackets or ceiling mount brackets available at Avonic for safe installation.
- Electronic devices produce heat. Do not block the ventilation slots of the device and make sure the installation environment is well ventilated to avoid overheating.
- Before cleaning, unplug the power cable. Use a soft, damp cloth to clean the device, do not use strong or abrasive detergent to clean that will damage the device.
- If you wish to dispose this product, please contact Avonic to obtain info about the take-back procedure.

## Compliance Statements and Certifications

- FCC: This device complies with part 15 of the FCC rules. Operation is subject to the following two conditions: 1. This device may not cause harmful

interference, and 2. This device must accept any interference received, including interference that may cause undesired operation.

- CE: Certification
- RoHS:

## Package contents and Accessories

Quantity	Description	Avonic SKU
1 pc	USB 2.0 Video Conferencing Table Speakerphone	CM-MIC100
1 pc	USB 2.0 Cable (Type A to USB mini)	
1 pc	Neoprene Soft Sleeve	

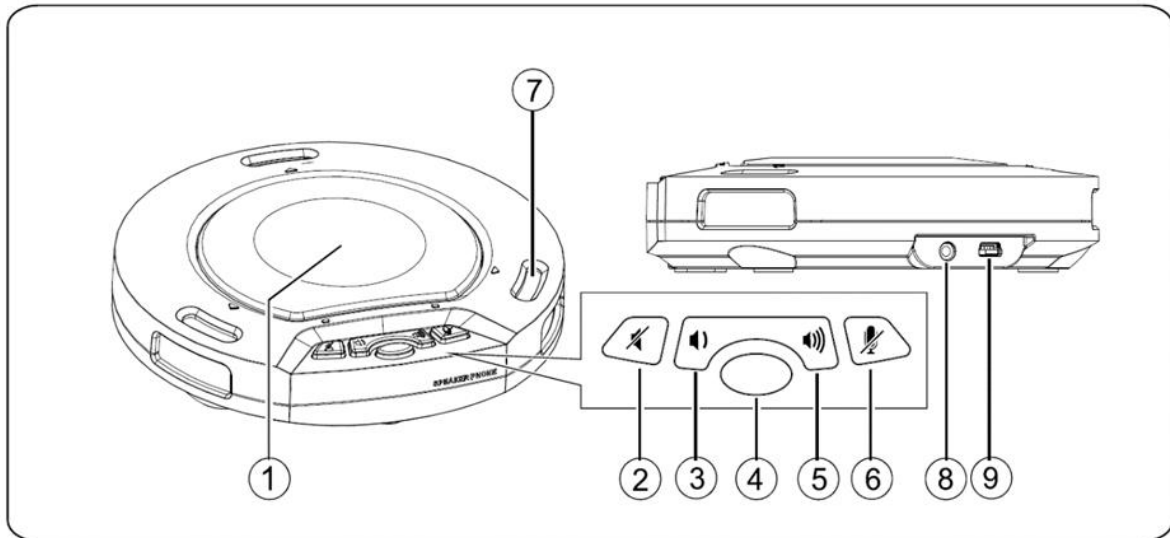
## Product Overview

The Avonic CM-MIC100 Speakerphone is an ideal USB2.0 table speaker and microphone for video conferencing or personal calls. It is the recommended companion for the Avonic CM55-series USB Video Conference Cameras. Your office can be anywhere with this easy plug-and-play and portable speakerphone. The sound is clear and the 360 pickup gives a very realistic performance.

### Features

- Light, classical and elegant, easy to carry
- Firm and compact design
- Full duplex high quality audio
- With 3 cardioid microphones to pick up all voices around the table
- Hassle free full duplex conversation due to enhanced echo and noise cancellation
- Easy plug and play installation
- Ideal for use with Skype for Business and other UC Platforms
- USB powered, no additional power cords or adapter

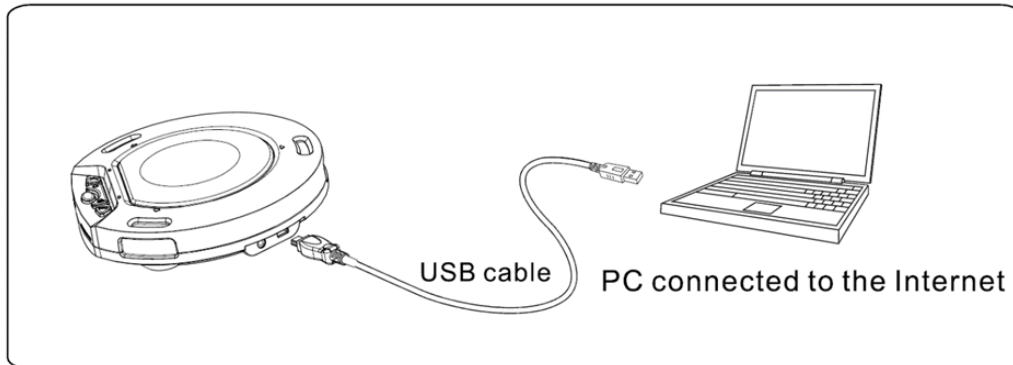
## Product Description



1. Speaker
2. Speaker Mute, the LED is on when the speaker is muted
3. Decrease Volume
4. Mic Zone, the LEDs indicate which mic is active
5. Increase Volume
6. Microphone Mute, the LED is on when mic is muted
7. Three microphones
8. (not in use)
9. USB

# Installation

## Connection Diagram

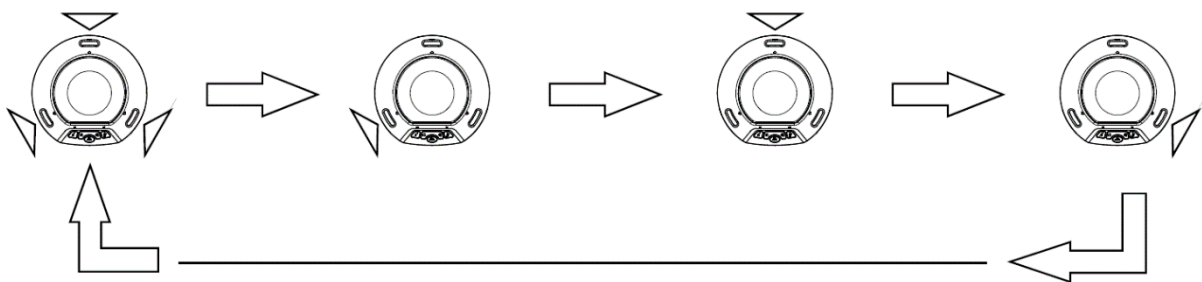


Connect the CM-MIC100 directly to an USB input of the PC. Connecting to a USB hub may result in operation problems.

The Windows OS allows only 1 audio device for audio input or output.

## Operation Instructions

### Menu



Loop through the menu to select the active microphones by pressing the Mic Zone Button.

# Maintenance

Before cleaning, unplug the power cable. Use a soft, damp cloth to clean the device, do not use strong or abrasive detergent to clean that will damage the device.

# Troubleshooting

# Contact

For any questions or suggestions, contact the reseller or the local Avonic distributor. Find the local distributor on the Avonic website. For support questions mail to [support@avonic.eu](mailto:support@avonic.eu)

For the recent manual or datasheet, look at the Avonic website.

[www.avonic.eu](http://www.avonic.eu)

# Appendix

## Technical Data

Console Speaker	
	<p>1 antimagnetic 3 inch speaker</p> <p>Volume adjustable to 94 dBA SPL (peak) volume at 0.5 meters</p> <p>Frequency bandwidth 300 to 20.000 Hz</p>
Console Microphones	
	<p>3 cardioid microphones</p> <p>Microphone mute key</p> <p>Up to 3 meter microphone pickup range</p> <p>Gated microphones with intelligent microphone mixing</p> <p>Dynamic noise reduction</p>
Audio Technology	
	<p>AEC Echo canceller, NR noise canceller, AGC automatic gain controller, NLP Nonlinear echo canceller, ALC automatic level controller, EQ frequency equalizer</p>
Power	
	<p>USB powered</p> <p>DC 5V 500mA</p> <p>Power consumption: 2.5W</p>
Dimensions	
	<p>Product Size : 15.5 x 14.8 x 3.7cm, 0.34kg</p> <p>Package Size : 27 x 23x 8.3cm, 0,85 kg</p>