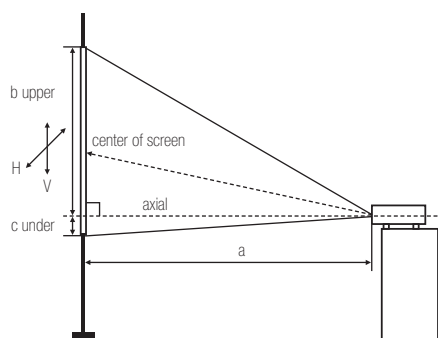
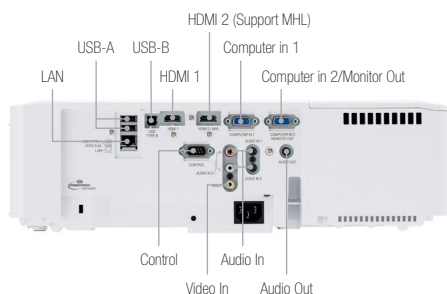


CP-EW5001WN

3LCD Lamp projector, 5000 ANSI Lumens, 16,000:1 contrast ratio, WXGA (1280 x 800) resolution

HITACHI
Inspire the Next

Technical Specifications



a: Projection distance from centre of lens to the screen.

THROW CHART 16:10 ASPECT RATIO (BUILT-IN LENS)

| Screen size (diagonal) | HxV | | Projection distance (a) | | Screen height (cm) | |
|------------------------|-----|-----|-------------------------|----------|--------------------|---------|
| | (m) | (m) | Wide (m) | Tele (m) | b upper | c under |
| 30" (0.8 m) | 0.6 | 0.4 | 0.9 | 1.4 | 4 | 36 |
| 60" (1.5 m) | 1.3 | 0.8 | 1.8 | 2.9 | 8 | 73 |
| 80" (2.0 m) | 1.7 | 1.1 | 2.4 | 3.9 | 11 | 97 |
| 100" (2.5 m) | 2.2 | 1.3 | 3.0 | 4.9 | 13 | 121 |
| 120" (3.0 m) | 2.6 | 1.6 | 3.6 | 5.9 | 16 | 145 |
| 200" (5.1 m) | 4.3 | 2.7 | 6.1 | 9.9 | 27 | 242 |
| 300" (7.6 m) | 6.5 | 4.0 | 9.2 | 14.8 | 40 | 363 |

THROW CHART 16:9 ASPECT RATIO (BUILT-IN LENS)

| Screen size (diagonal) | HxV | | Projection distance (a) | | Screen height (cm) | |
|------------------------|-----|-----|-------------------------|----------|--------------------|---------|
| | (m) | (m) | Wide (m) | Tele (m) | b upper | c under |
| 30" (0.8 m) | 0.7 | 0.4 | 0.9 | 1.5 | 2 | 35 |
| 60" (1.5 m) | 1.3 | 0.7 | 1.9 | 3.0 | 4 | 71 |
| 80" (2.0 m) | 1.8 | 1.0 | 2.5 | 4.0 | 6 | 94 |
| 100" (2.5 m) | 2.2 | 1.2 | 3.1 | 5.0 | 7 | 118 |
| 120" (3.0 m) | 2.7 | 1.5 | 3.7 | 6.1 | 8 | 141 |
| 200" (5.1 m) | 4.4 | 2.5 | 6.3 | 10.1 | 14 | 235 |
| 300" (7.6 m) | 6.6 | 3.7 | 9.4 | 15.2 | 21 | 353 |

Hitachi Throw Calculator:

<http://www.hitachidigitalmedia.com/en-gb/throw-distance-calculator>

OPTICAL

| | |
|---|---------------------------------------|
| Display System | 3LCD (0.59 inches) aspect ratio 16:10 |
| Resolution | WXGA (1280 x 800) |
| Light Output (Brightness) ANSI Lumens | 5000 (Normal) |
| Contrast Ratio | 16,000:1 |
| Lamp Life (Hours) | 4500 (Normal), 6000 (Eco) |
| Lens | Built-in |
| Lens Zoom | Manual Zoom x 1.6 |
| Lens Focus | Manual Focus |
| Lens Shift | Not Supported |
| Projection Lens F Number | 1.65 - 2.15 |
| Throw Distance | 0.9 – 9.2m (Wide), 1.4 – 14.8m (Tele) |
| Distance to Width Ratio/ Throw Ratio (:1) | 1.4 (Wide), 2.3 (Tele) |
| Diagonal Display Size | 30 – 300 inches |

FEATURES

| | |
|---------------------|--|
| Installation | Ceiling, Tabletop, Rear |
| Speakers | 16W Mono |
| Digital Keystone | Horizontal: ± 30 degrees, Vertical: ± 30 degrees |
| Picture Modes | Standard, Cinema, Dynamic, Board (Black), Board (Green), Whiteboard, Daytime, Photo, Diacom SIM. |
| Picture Adjustments | ASPECT selection (Normal/4:3/16:9/16:10/14:9/Zoom), Perfect Fit (4 corners and 4 sides), Frame Lock (Data signal with vertical frequency of 49 to 51 Hz, 59 to 61 Hz), HDCR, Image blank by RS232C/Remote control, Image Optimizer, Magnify, Mirror Reverse Image, Up-side Down Image |
| Network Features | Wireless Capability (Option), Multi Projector, Moderator Control Mode, Projector Quick Connection (ios / Android app), Projector Monitoring and Control from a Remote Location, E-mail Alerts |
| Security Features | Password/Myscreen Password, Pin Lock, Key Lock |
| Supported Languages | 34 Languages (English, French, German, Spanish, Italian, Norwegian, Dutch, Japanese, Portuguese, Simplified Chinese, Traditional Chinese, Korean, Swedish, Russian, Finnish, Polish, Turkey, Arabian, Persian, Czech, Danish, Hungarian, Romanian, Slovenian, Croatian, Greek, Lithuanian, Estonian, Latvian, Thai, Portuguese (Brazil), Indonesian, Vietnamese, Hebrew) |

COMPATIBILITY

| | |
|----------|---|
| Computer | IBM Compatible VGA, SVGA, XGA, WXGA SXGA/WSXGA+/HD/UXGA (compressed) |
| Video | 525i(480i), 525p(480p), 625i(576i), 625p(576p) 1125i(1080i@50/60), 750p(720p@50/60), 1125p(1080p@50/60) |

CONNECTIONS

| | |
|------------------|---|
| Digital Input | HDMI x 2 (HDCP compliant, HDMI 2 shared with MHL) |
| Analogue Input | 15-pin Mini-D-Sub x 2, RCA Jack x 1 |
| Video Output | 15 pin Mini D-Sub x 1 |
| Audio Input | 3.5mm Stereo Mini Jack x 2, RCA Jack (L/R) x 1 |
| Audio Output | 3.5mm Stereo Mini Jack x 1 |
| RS-232C Control | 1 x 9-pin D-Sub |
| Wireless LAN | Yes (Optional) |
| Wired LAN | RJ45 connector x 1 |
| USB Type-A | USB type A x 2 (PC less Presentation or Wireless adapter) |
| USB Type-B | USB type B x 1 |
| Wired Remote I/O | Not Supported |

POWER

| | |
|---------------------------------------|---|
| Power Supply | AC 100V – 120V / AC 220V – 240V (50/60Hz) |
| Power Consumption Operating / Standby | 400W / Less than 0.5W |

PHYSICAL

| | |
|------------------------|---------------------------|
| Weight | 5.3kg |
| Dimensions (W x H x D) | 413 x 123 x 315mm |
| Operation Noise | 35db (Normal), 27db (Eco) |

CERTIFICATION

| | |
|---------------|--|
| Certification | CE Marking, EN61000-3-2, EN61000-3-3, EN55032(class A), EN55024(EMC directive), EN60950-1 (Low voltage directive), WEEE/RoHS compliant |
|---------------|--|

ACCESSORIES

| | |
|---------------------------|--|
| Supplied Accessories | Power Cable (Euro cord (1.8 m) x1), Computer Cable, Remote controller with the two AA batteries, Lens Cover and cap, Adapter Cover(for USB Wireless Adapter), Security Label, User's Manual CD, application CD |
| Optional Accessories | USB-WL-11N (wireless adapter) |
| Replacement Lamp / Filter | DT02061 / UX41161 |
| Remote Control | HL03037 |

WARRANTY

| | |
|---------------------------|---|
| Projector / Lamp Warranty | 3 years / 6 months (for education and extended warranties please contact your local dealer) |
|---------------------------|---|

HITACHI DIGITAL MEDIA, Hitachi Europe Ltd, Whitebrook Park, Lower Cookham Road, Maidenhead, Berkshire SL6 8YA UNITED KINGDOM
Tel: +44 (0)1628 585 000 Fax: +44 (0)1628 585 163 www.hitachidigitalmedia.com

The specification above and photography is for reference only and may be subject to change.

* When Saving function is enabled in Standby mode, some features such as Wireless, LAN and control might not work. Please change Standby function to Normal to enable the projector features when projector is in Standby.